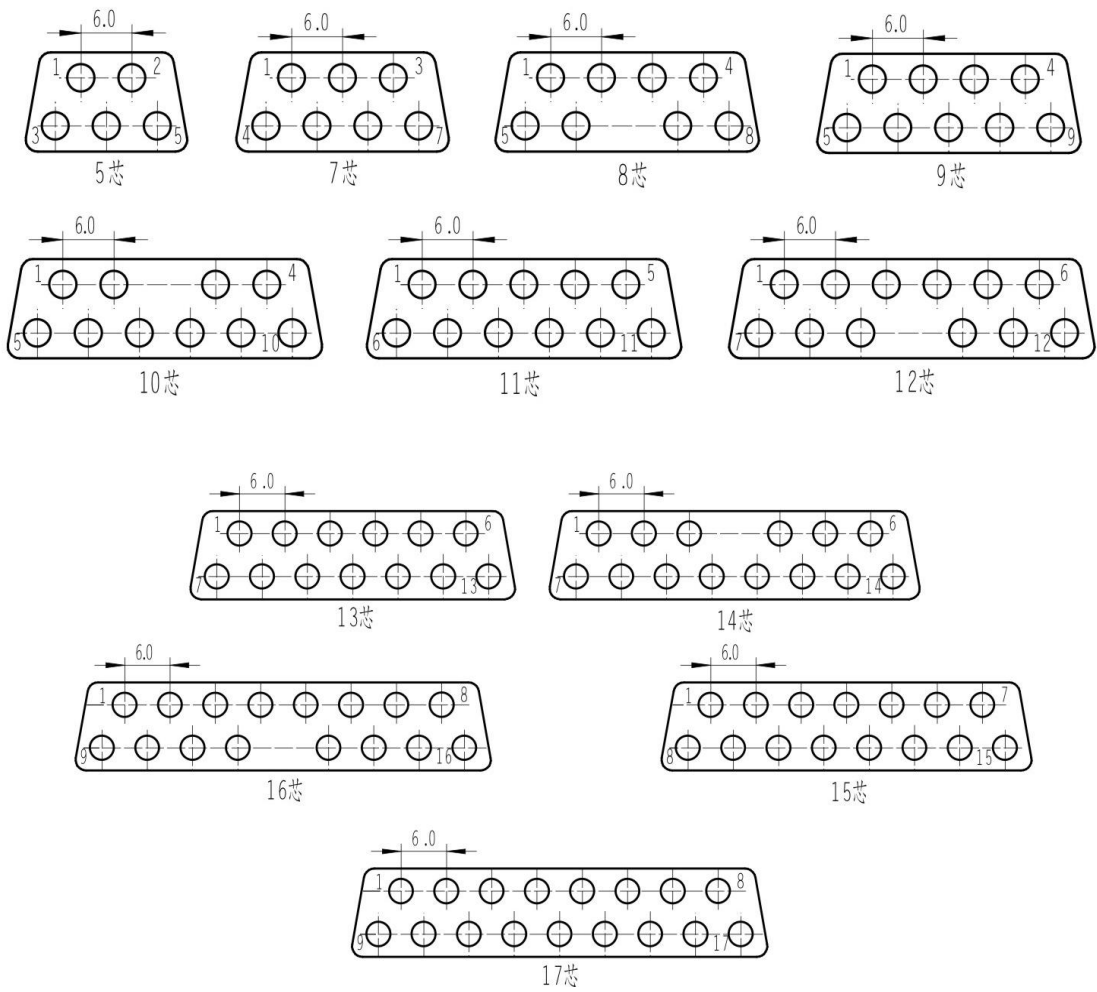
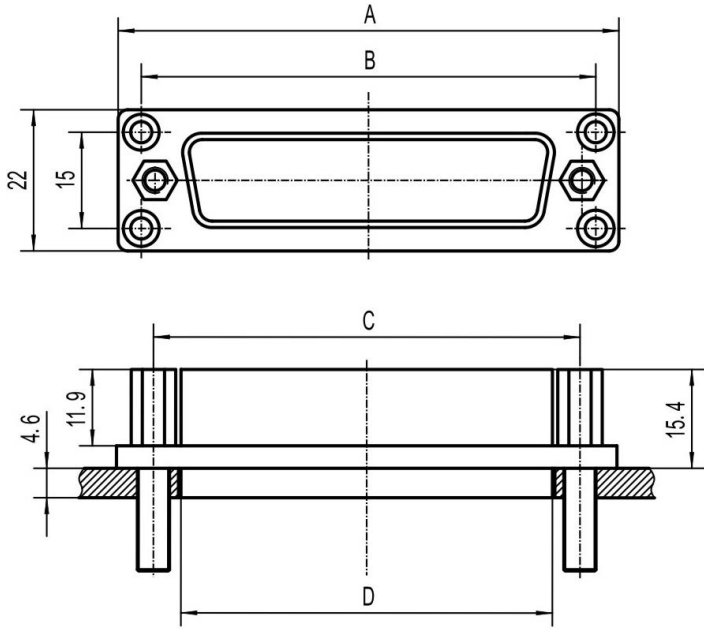


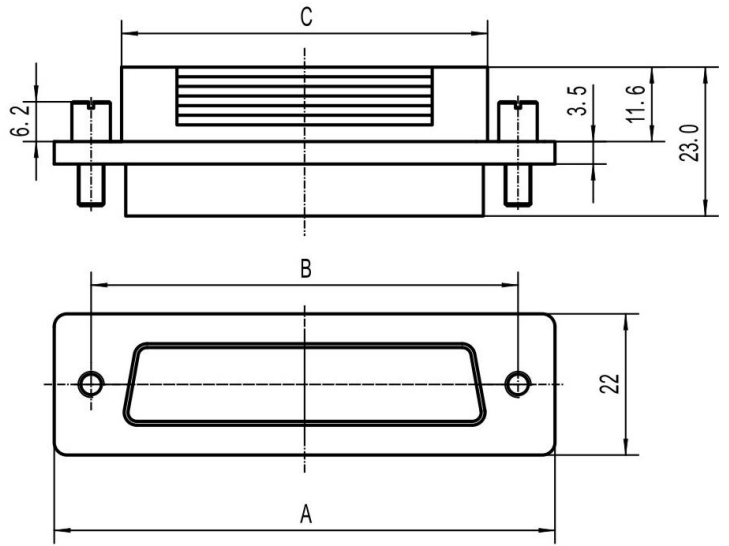
矩形双排集束产品型谱 ( 5~17芯 ) :



单排插座端



单排插头端



尺寸值 芯数	A	B	C	D
5芯	42.0	34.8	30.5	21.9
7芯	48.0	40.8	36.5	27.9
8芯	54.0	46.8	42.5	33.9
9芯	54.0	46.8	42.5	33.9
10芯	60.0	52.8	48.5	39.9
11芯	60.0	52.8	48.5	39.9
12芯	66.0	58.8	54.5	45.9
13芯	66.0	58.8	54.5	45.9
14芯	72.0	64.8	60.5	51.9
15芯	72.0	64.8	60.5	51.9
16芯	78.0	70.8	66.5	57.9
17芯	78.0	70.8	66.5	57.9

尺寸值 芯数	A	B	C
5芯	42.0	30.5	21.0
7芯	48.0	36.5	27.0
8芯	54.0	42.5	33.0
9芯	54.0	42.5	33.0
10芯	60.0	48.5	39.0
11芯	60.0	48.5	39.0
12芯	66.0	54.5	45.0
13芯	66.0	54.5	45.0
14芯	72.0	60.5	51.0
15芯	72.0	60.5	51.0
16芯	78.0	66.5	57.0
17芯	78.0	66.5	57.0